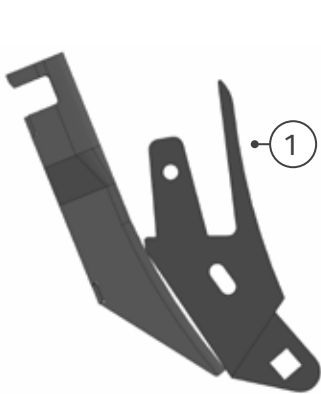
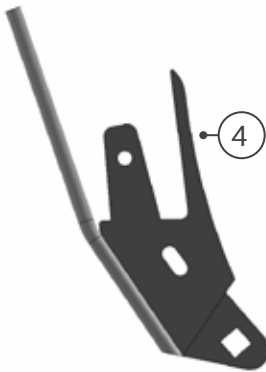


# John Deere 1870 Conserva Pak

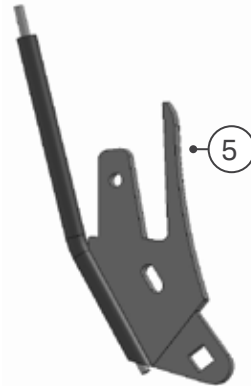
Fertilizer Knives (Page 40)



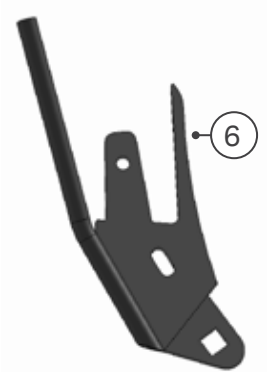
650-HLD-1000G



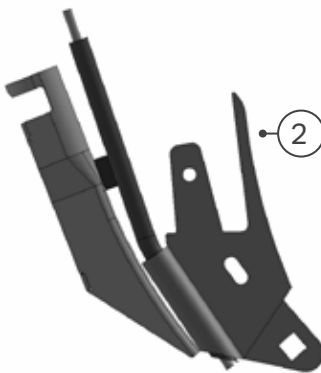
650-HLD-1001



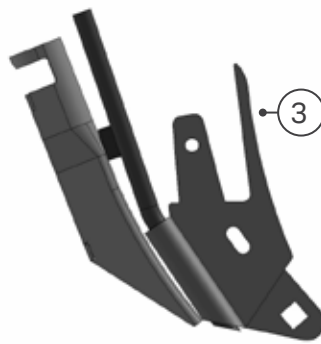
650-HLD-1000L



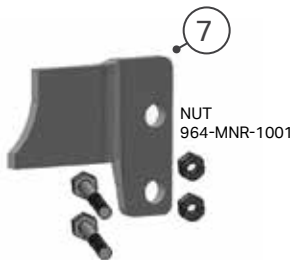
650-HLD-1000N



650-HLD-1000GL

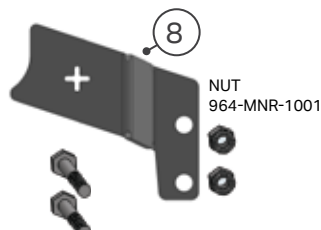


650-HLD-1000GN



BOLT  
964-MHR-1030

650-ACC-1000



BOLT  
964-MHR-1030

650-ACC-1010

	<b>G</b>	<b>L</b>	<b>N</b>	<b>G</b>	<b>G</b>	<b>N</b>
				<b>L</b>	<b>N</b>	
650-HLD-1000G	■					
650-HLD-1000L		■				
650-HLD-1000N			■			
650-HLD-1000GL				■		
650-HLD-1000GN					■	
650-HLD-1001						■

PART		650-HLD-1000G	650-HLD-1000L	650-HLD-1000N	650-HLD-1000GL	650-HLD-1000GN	650-HLD-1001
1	650-HLD-1000G	■					
2	650-HLD-1000GL				■		
3	650-HLD-1000GN					■	
4	650-HLD-1001						■
5	650-HLD-1000L		■				
6	650-HLD-1000N			■			
7	650-ACC-1000 <sup>1</sup>	■	■	■			■
8	650-ACC-1010 <sup>2</sup>				■	■	

**TIP OPTIONS:**

- 200-TIP-0511
- 200-TIP-0801
- 200-TIP-0803
- 200-TIP-0800
- 200-TIP-0802
- 200-TIP-0811

Tips sold separately. See pages 12-13.

**NOTES:** <sup>1</sup>650-ACC-1000 bracket is required on single fertilizer knives. <sup>2</sup>650-ACC-1010 bracket is required for 650-HLD-1000GN and 650-HLD-1000GL. Required on units prior to 2017. **They are not included in the assembly and must be ordered separately.**

The metric bolts needed for installation of these bracket are included. Correct bracket installation is shown on page 40.