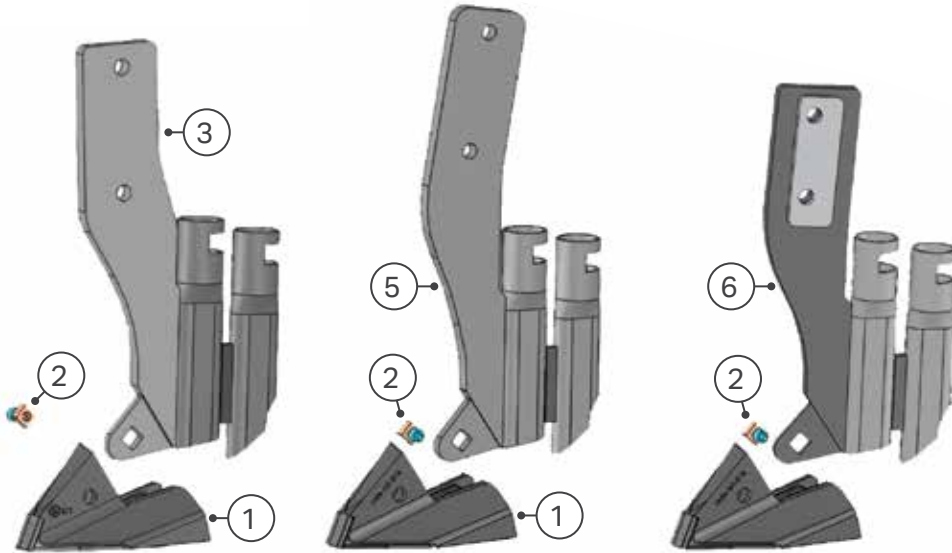


610-TIP-4041 Assemblies

Paired Row Seed Openers (Assemblies on these pages include the tip)



683-ASY-4020

FITS: Morris Contour I (page 47)

693-ASY-4020

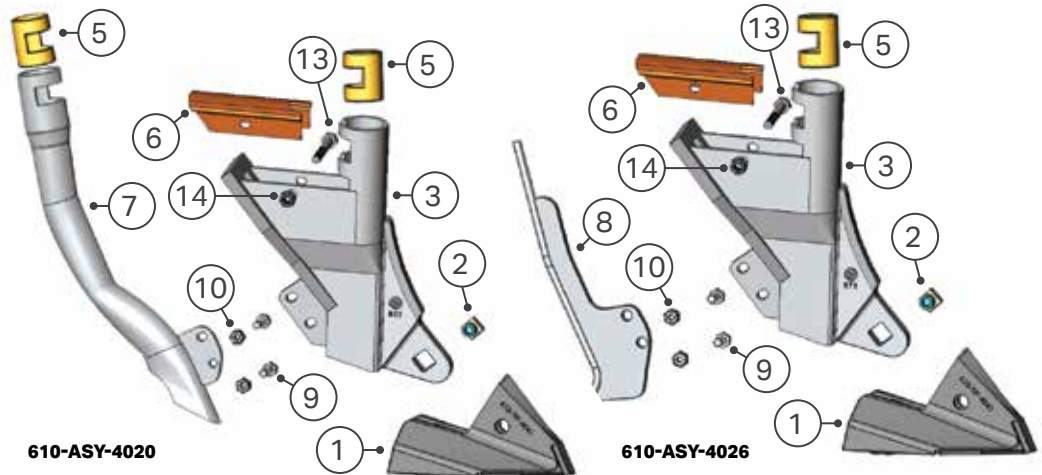
FITS: Morris Contour II & Morris Quantum (page 47)

694-ASY-4020

FITS: Case IH ATX 700, NH P2060, Flexi-Coil 5500 & Concord (page 33)

PART				
1	610-TIP-4041	■	■	■
2	200-BNC-3100	■	■	■
3	683-HLD-2000	■		
5	693-HLD-2000		■	
6	694-HLD-2000			■

PART			
1	610-TIP-4041	■	■
2	200-BNC-3100	■	■
3	610-HLD-2000	■	■
4	680-HLD-2000		
5	880-BSH-1130 (x2)	■	■
6	047-CAP-1000	■	■
7	610-TUB-1001	■	
8	610-TUB-2526		■
9	942-HRG-0754 (x2)	■	■
10	906-NPT-2505 (x2)	■	■
11	680-ACC-0002 ¹		
12	680-ACC-0003 ²		
13	942-HRG-2004	■	■
14	908-NNI-2504	■	■



610-ASY-4020

FITS: C-shank (page 21)

610-ASY-4026

FITS: C-shank (page 21)

NOTES: 680-ACC-0004 is a conversion tab to replace the fertilizer tube on the 680-HLD-2000 making it a single shoot opener. See page 106. ¹680-ACC-0002 is a spacer plate required for Bourgault 3310 & 3320 only, not included in assembly. See page 106. ²680-ACC-0003 is a spacer plate required for Bourgault 3310 & 3320 only, not included in assembly. See page 106.

All product and company names are trademarks™ or registered® trademarks of their respective holders. Use of them does not imply any affiliation with or endorsement by them.