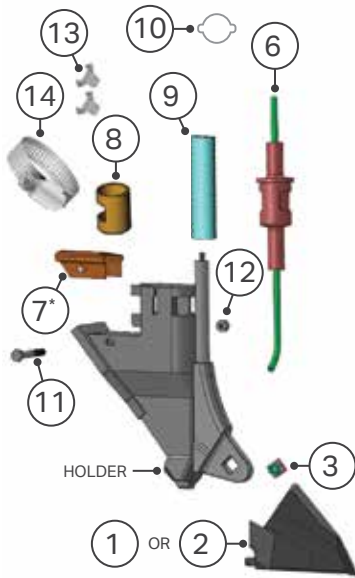


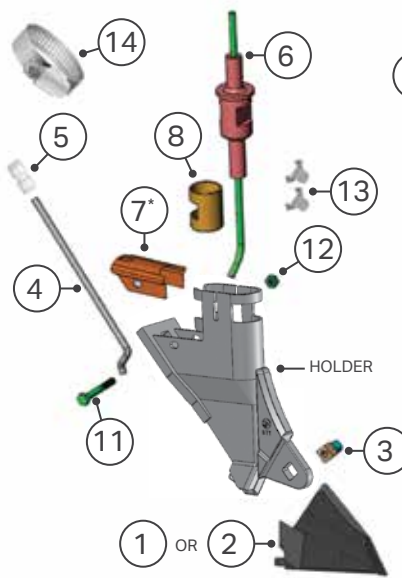
612-TIP-0711 & 0712 Assemblies

Side Band Seed Openers (Assemblies on these pages include the tip)



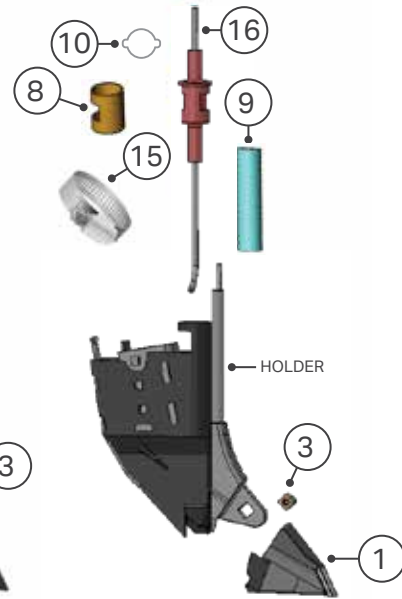
610-ASY-0711
610-ASY-0712 (SHOWN)

HOLDERS:
610-HLD-0711
610-HLD-0712 (SHOWN)
FITS: C-shank (page 23)



612-ASY-0711
612-ASY-0712 (SHOWN)

HOLDERS:
612-HLD-0711
612-HLD-0712 (SHOWN)
FITS: C-shank (page 23)



680-ASY-0711
680-ASY-0712 (SHOWN)

HOLDERS:
680-HLD-0711
680-HLD-0712 (SHOWN)
680-HLD-0711P
680-HLD-0712P

FITS: Bourgault PHD (page 28)
Morris Maxim Edge On (page 44)

NOTES: If your C-shank holder looks different than those pictured above, you have a pre-2014 style holder.

These holders require the galvanized steel cap 612-CAP-1001.

PART		G	L	G	L	G	L	G	L	G	L	G	L	G	L	G	L	G	L
1	612-TIP-0711																		
2	612-TIP-0712 (SHOWN)																		
3	200-BNC-3100																		
4	047-TUB-2540																		
5	880-CPL-2500																		
6	612-TUB-6061																		
7	612-CAP-1002																		
8	880-BSH-1130																		
9	680-HOS-1000*																		
10	880-HCL-0004																		
11	942-HRG-2004																		
12	908-NNI-2504																		
13	880-HCL-0001 (x2)																		
14	880-HCL-1828																		
15	880-HCL-8117																		
16	682-TUB-6061																		