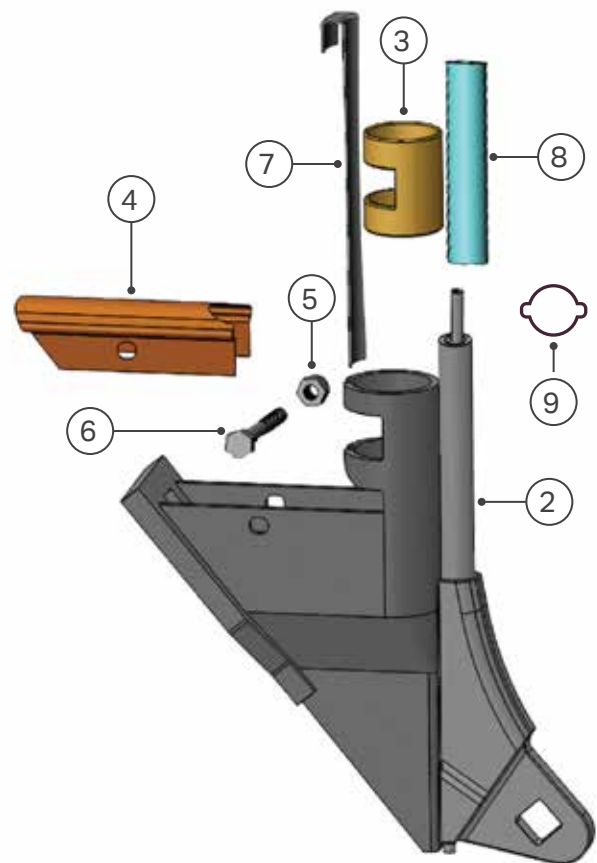
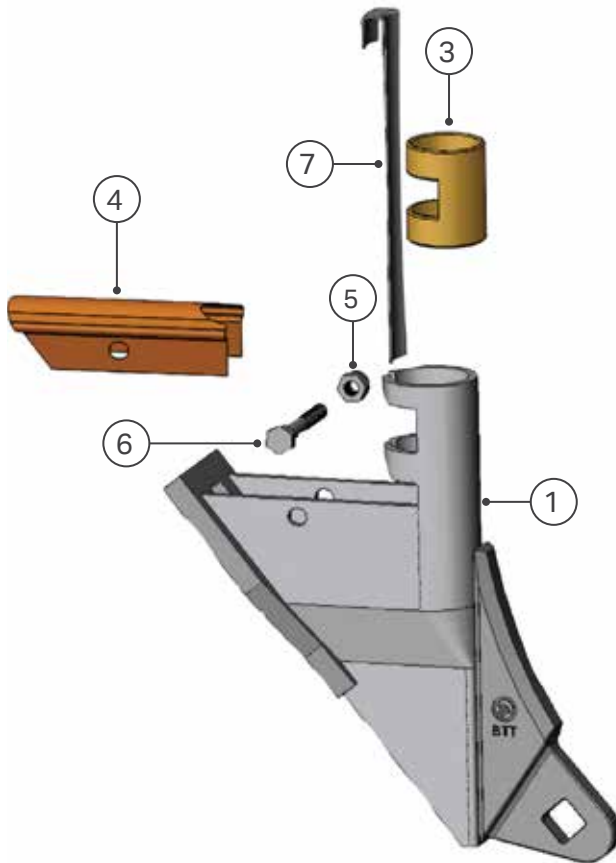


# 047-ASY-1000

Single Shoot Seed Opener (Page 19)

# 047-ASY-1005P

Single Shoot Seed Opener (Page 19)



PART		047-ASY-1000	047-ASY-1005P
1	047-HLD-1000	■	
2	047-HLD-1005P		■
3	880-BSH-1130	■	■
4	047-CAP-1001	■	■
5	908-NNI-2504	■	■
6	942-HRG-2004	■	■
7	047-ACC-1000*	■	■
8	680-HOS-1000**		■
9	880-HCL-0004		■

**TIP OPTIONS:**

- 200-TIP-0511
- 200-TIP-0800
- 200-TIP-0801
- 200-TIP-0802
- 200-TIP-0803
- 200-TIP-0811
- 200-TIP-1011
- 200-TIP-2011
- 200-TIP-3000
- 200-TIP-3001
- 200-TIP-3011
- 200-TIP-4011

**Tips sold separately.** See pages 12-13.

**NOTES:** Curved 50° shanks require either 880-WDG-0300 or 880-WDG-0301. **Sold separately.** See page 106.

\*Use focus strip 047-ACC-1000 for more concentrated seed placement.

\*\*680-HOS-1000 is a 6" x 1/2" I.D. NH3 hose.

**880-ASY-1010 REQUIRED**

This assembly is required to convert the standard 3/16" O.D. liquid phos tube to 1/4" I.D. liquid phos delivery hoses. **Sold separately.**

