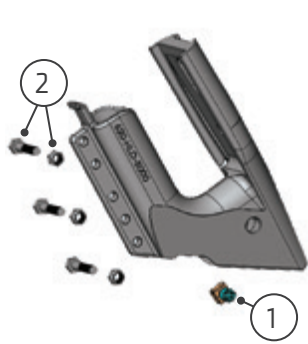


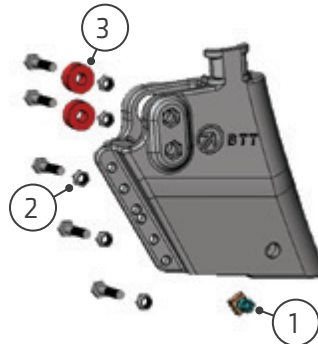
TITAN OPENER SYSTEM (PAGES 56-57)

1 CHOOSE YOUR HOLDER



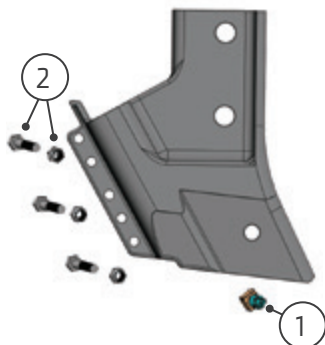
620-HLD-5000

FITS: 47° and 50 ° C-shank



628-HLD-5000

FITS: Morris Maxim Edge On & Bourgault PHD Shanks



688-HLD-5000

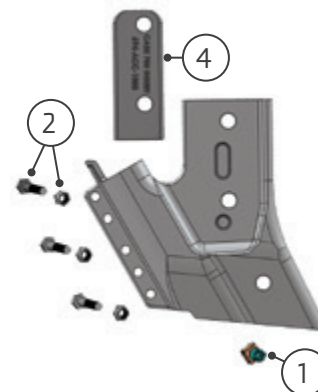
FITS: Horsch 84° Shank

NOTES: On older drills, customer needs to verify mounting bolt holes:

1/2" bolt hole requires **694-HLD-5000**

(does not require 694-ACC-1000)

5/8" bolt hole requires **688-HLD-5000**

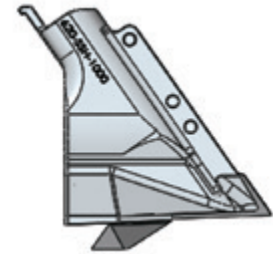


694-HLD-5000

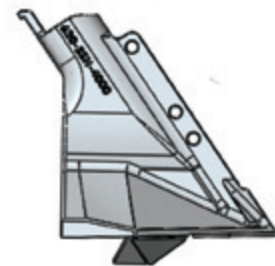
FITS: Case IH AXT 700, NH P2060, Flexi-Coil 5500 & Concord Edge On (84° shanks only)

NOTES: 694-HLD-5000 requires 694-ACC-1000 (included). Not required when installing on the Concord.

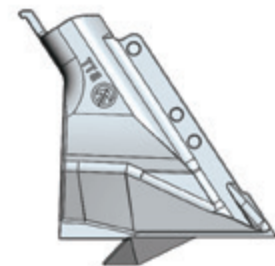
2 CHOOSE YOUR SEED SHOE/BOOT



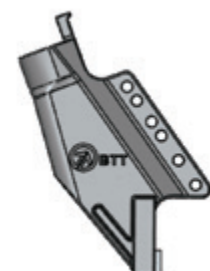
620-SSH-1000



620-SSH-4000



620-SSH-6000



628-SBT-2000

PART		620-HLD-5000	628-HLD-5000	688-HLD-5000	694-HLD-5000
1	200-BNC-3100	■	■	■	■
2	620-BNC-3100	■	■	■	■
3	628-BSH-1000		■		
4	694-ACC-1000			■	■

All product and company names are trademarks™ or registered® trademarks of their respective holders. Use of them does not imply any affiliation with or endorsement by them.

3 CHOOSE YOUR TIP



620-TIP-0510



620-TIP-0517



628-TIP-0510



628-TIP-0512



620-TIP-4060

NOTES: 800-CPL-2500 is required (included).

4 CHOOSE YOUR FERTILIZER

The tube assemblies pictured below include the tube and any accessories shown.

N 620-TUB-1021*

1/2" (12mm) O.D. NH3 tube for **620, 688 & 694** holders.



N P 620-TUB-1070 & 1070XL

1/4" (6mm) O.D. Aqua NH3 + Phos tube for **620, 688 & 694** series holders.

880-CPL-2500 sold separately.



N L 620-TUB-4000 & 4000XL

0.4" O.D. Stainless Steel Liquid or NH3 tube for **620, 688 & 694** series holders.



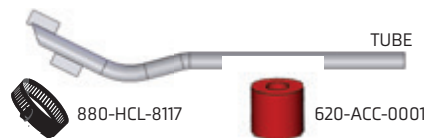
N P 620-TUB-4040

0.4" O.D. Stainless Steel Aqua NH3 + Phos tube for **620, 688 & 694** series holders.



N 628-TUB-1021*

1/2" (12mm) O.D. NH3 tube for **628** holders.



*For pressurized NH3 Systems (including MaxQuip) you will be given the standard NH3 tube and then must consult with your pressurized system dealer for tubing inserts.