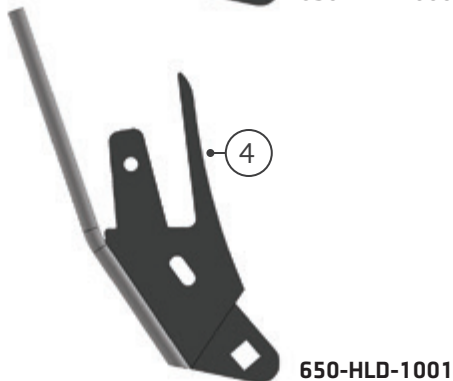
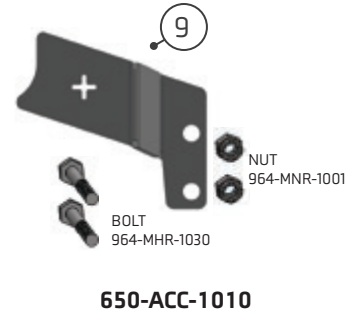
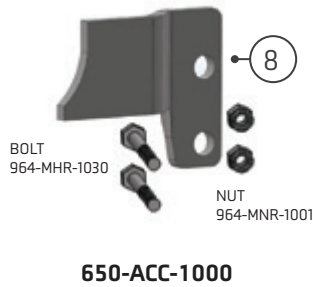
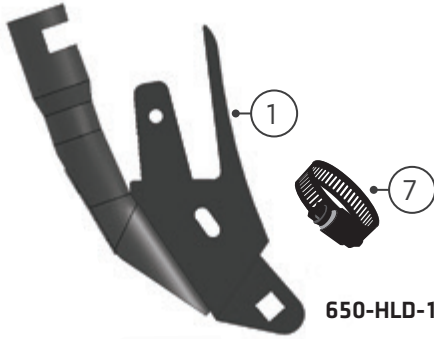


JOHN DEERE 1870 CONSERVA PAK

FERTILIZER KNIVES (PAGE 43)



	G	L	N	G	G	N
				L	N	

PART		650-HLD-1000G	650-HLD-1000L	650-HLD-1000N	650-HLD-1000GL	650-HLD-1000GN	650-HLD-1001
1	650-HLD-1000G	■					
2	650-HLD-1000GL				■		
3	650-HLD-1000GN					■	
4	650-HLD-1001						■
5	650-HLD-1000L		■				
6	650-HLD-1000N			■			
7	880-HCL-8117	■			■	■	
8	650-ACC-1000*	■	■	■			■
9	650-ACC-1010*				■	■	

TIP OPTIONS:

- 200-TIP-0511
- 200-TIP-0800
- 200-TIP-0801
- 200-TIP-0802
- 200-TIP-0803
- 200-TIP-0811

Tips sold separately. See pages 12-13.

NOTES: *The brackets 650-ACC-1000 AND 650-ACC-1010 (pictured above) limits the tripping distance of these fertilizer knives. **They are not included in the assembly and must be ordered separately.** The metric bolts needed to install this bracket are included with the brackets. To see this bracket installed properly see page 43.