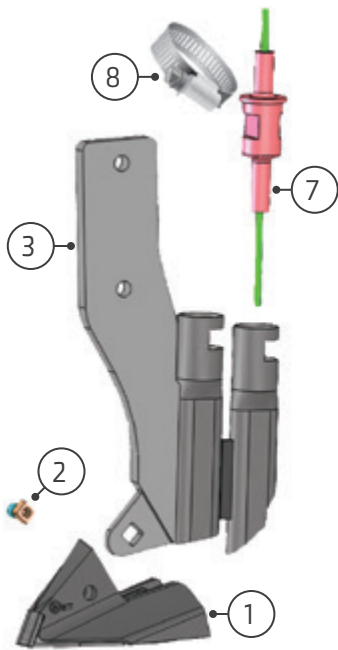


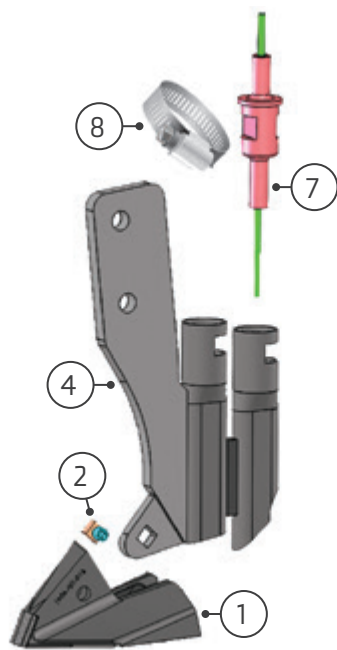
610-TIP-4041 ASSEMBLIES

PAIRED ROW (ASSEMBLIES ON THESE PAGES INCLUDE THE TIP)



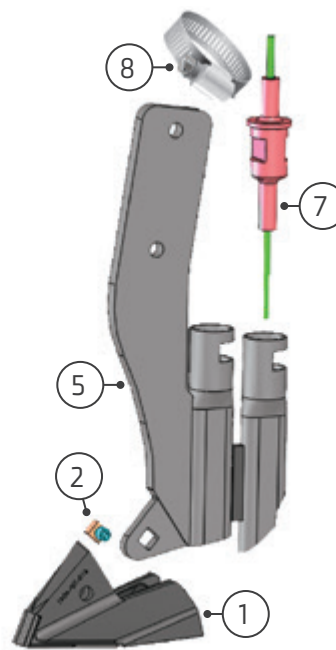
683-ASY-4020

FITS: Morris Contour I (page 48)



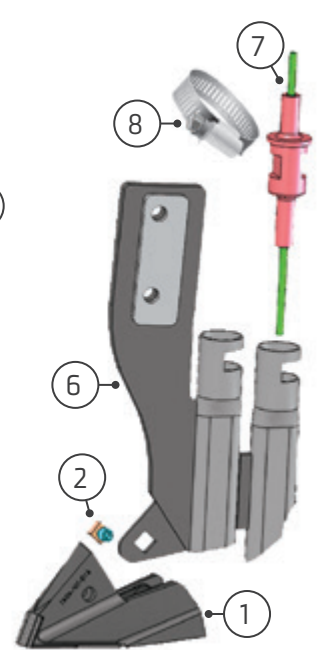
688-ASY-4020

FITS: Horsch 84° Shank (page 41)



693-ASY-4020

FITS: Morris Contour II & Morris Quantum (page 48)

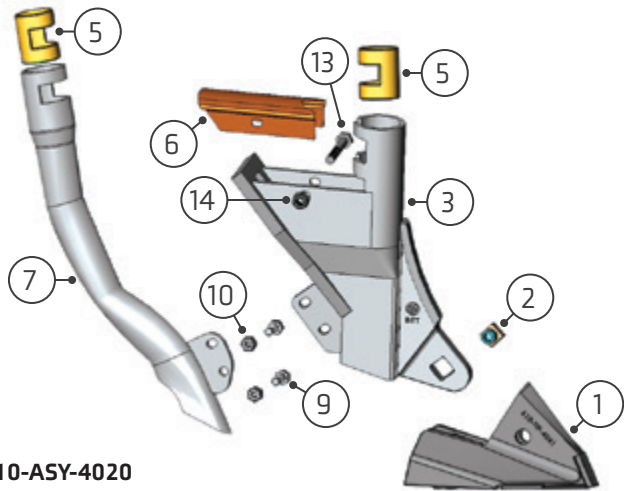


694-ASY-4020

FITS: Case IH ATX 700, NH P2060, Flexi-Coil 5500 & Concord (page 37)

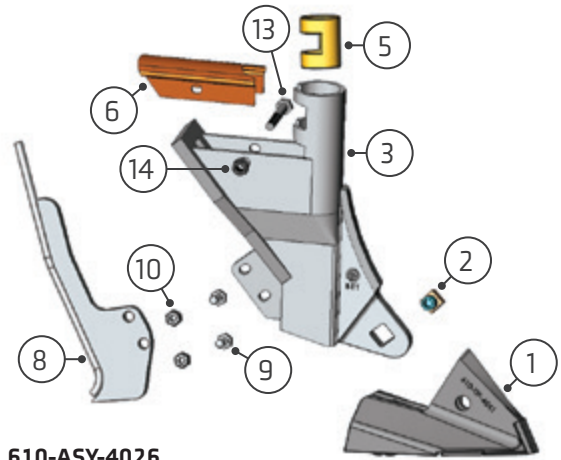
PART		G	L	G	L	G	L	G	L
		683-ASY-4020G	683-ASY-4020L	688-ASY-4020G	688-ASY-4020L	693-ASY-4020G	693-ASY-4020L	694-ASY-4020G	694-ASY-4020L
1	610-TIP-4041	■	■	■	■	■	■	■	■
2	200-BNC-3100	■	■	■	■	■	■	■	■
3	683-HLD-2000	■	■						
4	688-HLD-2000			■	■				
5	693-HLD-2000					■	■		
6	694-HLD-2000							■	■
7	683-TUB-6061		■		■		■		■
8	880-HCL-8117		■		■		■		■

All product and company names are trademarks™ or registered® trademarks of their respective holders. Use of them does not imply any affiliation with or endorsement by them.



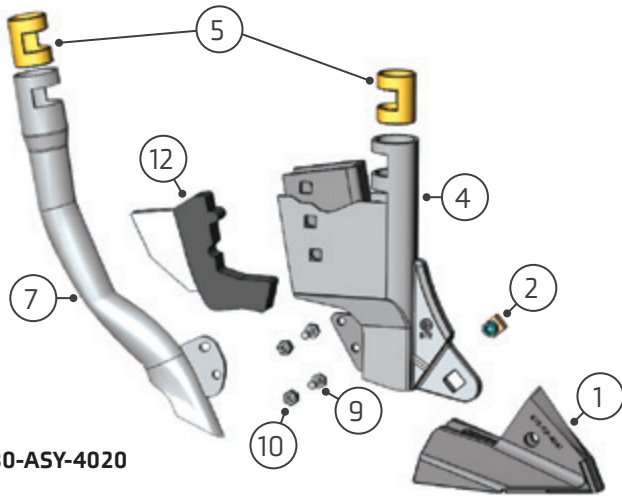
610-ASY-4020

FITS: C-shank (page 21)



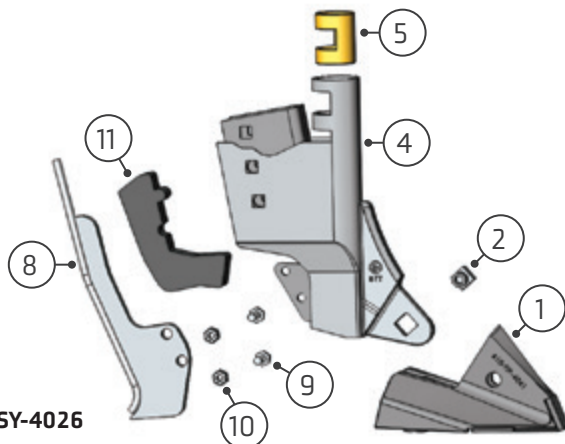
610-ASY-4026

FITS: C-shank (page 21)



680-ASY-4020

FITS: Edge On, Bourgault PHD & Morris Maxim (pages 30 & 48)



680-ASY-4026

FITS: Edge On, Bourgault PHD & Morris Maxim (pages 30 & 48)

PART	G	L	G	L
	610-ASY-4020	610-ASY-4026	680-ASY-4020	680-ASY-4026
1 610-TIP-4041	■	■	■	■
2 200-BNC-3100	■	■	■	■
3 610-HLD-2000	■	■		
4 680-HLD-2000			■	■
5 880-BSH-1130	■	■	■	■
6 047-CAP-1000	■	■		
7 610-TUB-1001	■		■	
8 610-TUB-2526		■		■
9 942-HRG-0754	■	■	■	■
10 906-NPT-2505	■	■	■	■
11 680-ACC-0002*				■
12 680-ACC-0003**			■	
13 942-HRG-2004	■	■		
14 908-NNI-2504	■	■		

NOTES: *680-ACC-0002 is a spacer plate required for Bourgault 3310 & 3320 only, not included in assembly. See page 106.

**680-ACC-0003 is a spacer plate required for Bourgault 3310 & 3320 only, not included in assembly. See page 106.

680-ACC-0004 is a conversion tab to replace the fertilizer tube on the 680-HLD-2000 making it a single shoot opener. See page 106.