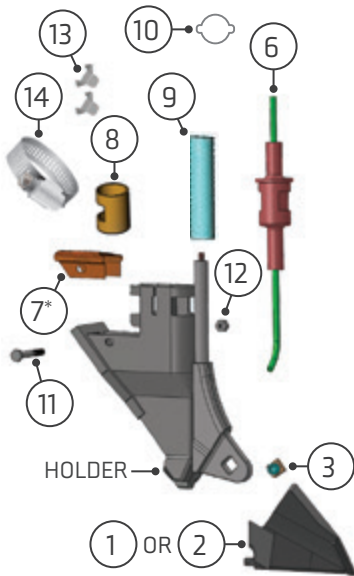


# 612-TIP-0711 & 612-TIP-0712 ASSEMBLIES

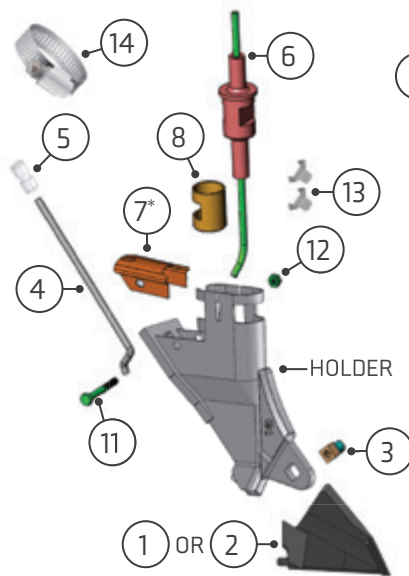
SIDE BAND (ASSEMBLIES ON THESE PAGES INCLUDE THE TIP)



**610-ASY-0711**  
**610-ASY-0712 (SHOWN)**

**HOLDERS:**  
610-HLD-0711  
610-HLD-0712 (SHOWN)

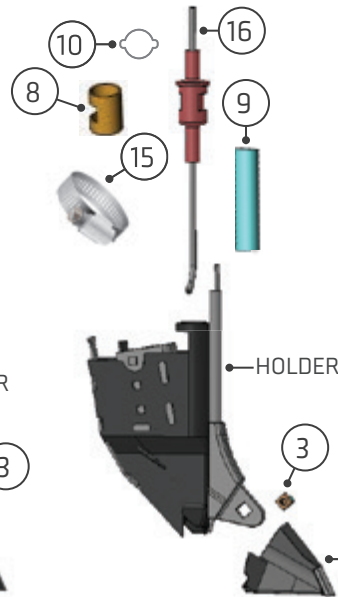
**FITS:** C-shank (page 23)



**612-ASY-0711 (LEFT)**  
**612-ASY-0712 (RIGHT SHOWN)**

**HOLDERS:**  
612-HLD-0711  
612-HLD-0712 (SHOWN)

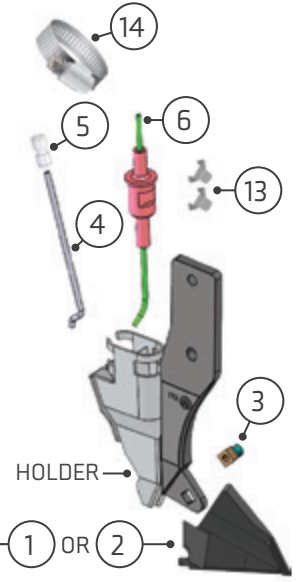
**FITS:** C-shank (page 23)



**680-ASY-0711**  
**680-ASY-0712 (SHOWN)**

**HOLDERS:**  
680-HLD-0711  
680-HLD-0712 (SHOWN)  
680-HLD-0711P  
680-HLD-0712P

**FITS:** Bourgault PHD & Morris Maxim  
Edge On (pages 27 & 45)



**683-ASY-0711**  
**683-ASY-0712 (SHOWN)**

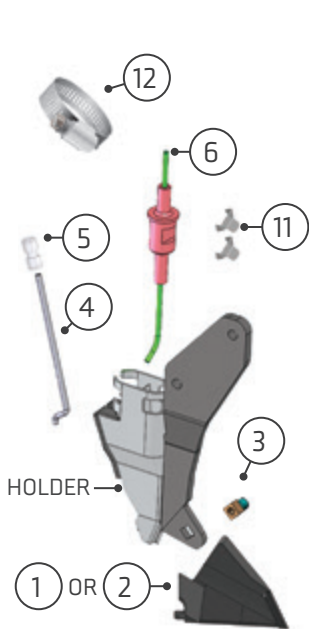
**HOLDERS:**  
683-HLD-0711  
683-HLD-0712 (SHOWN)

**FITS:** Morris Contour I (page 45)

**NOTES:** If your c-shank holder looks different than those pictured above, you have a pre-2014 style holder. These holders require the galvanized steel cap 612-CAP-1001.

PART		G	L	G	L	G	G	L	L	G	G	L	L	G	G	L	L	G	G	L	L
		P	P	P	P		P		P	P	P		P		P		P	P	P	P	P
1	612-TIP-0711	■	■			■	■							■	■			■	■		
2	612-TIP-0712 (SHOWN)			■	■					■	■	■	■					■	■	■	■
3	200-BNC-3100	■	■	■	■	■	■	■	■	■	■	■	■	■	■	■	■	■	■	■	■
4	047-TUB-2540						■			■								■			■
5	880-CPL-2500						■			■								■			■
6	612-TUB-6061	■	■	■	■					■	■	■	■					■	■		■
7	612-CAP-1002	■	■	■	■					■	■	■	■					■	■		■
8	880-BSH-1130	■	■	■	■	■	■	■	■	■	■	■	■	■	■	■	■				■
9	680-HOS-1000*	■	■	■	■									■							■
10	880-HCL-0004	■	■	■	■									■							■
11	942-HRG-2004	■	■	■	■	■	■	■	■	■	■	■	■								■
12	908-NNI-2504	■	■	■	■	■	■	■	■	■	■	■	■								■
13	880-HCL-0001	■	■	■	■	■	■	■	■	■	■	■	■					■	■		■
14	880-HCL-1828	■	■	■	■									■	■	■	■	■	■	■	■
15	880-HCL-8117													■	■	■	■				■
16	682-TUB-6061													■	■	■	■				■

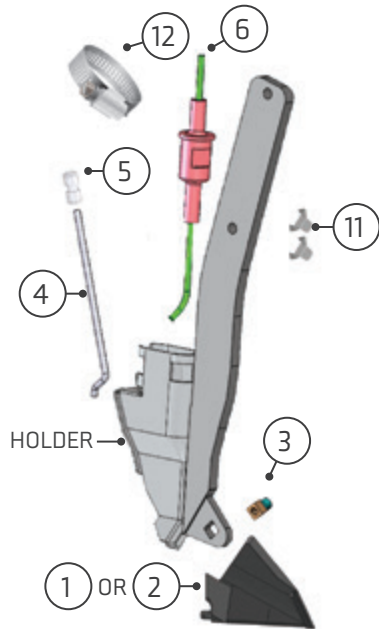
All product and company names are trademarks™ or registered® trademarks of their respective holders. Use of them does not imply any affiliation with or endorsement by them.



**684-ASY-0711**  
**684-ASY-0712 (SHOWN)**

**HOLDERS:**  
684-HLD-0711  
684-HLD-0712 (SHOWN)

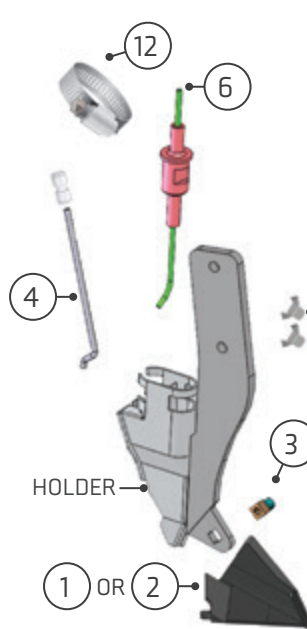
**FITS:** Case IH 800/900,  
NH P2070, Flexi-Coil PD5700  
& 7200 (page 35)



**686-ASY-0711**  
**686-ASY-0712 (SHOWN)**

**HOLDERS:**  
686-HLD-0711  
686-HLD-0712 (SHOWN)

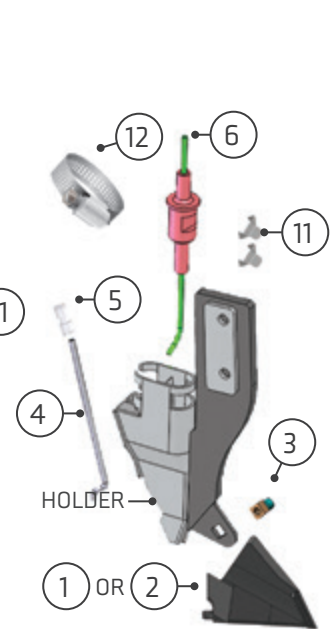
**FITS:** Väderstad Seed Hawk  
(page 53)



**693-ASY-0711**  
**693-ASY-0712 (SHOWN)**

**HOLDERS:**  
693-HLD-0711  
693-HLD-0712 (SHOWN)

**FITS:** Morris Contour II & Morris  
Quantum (page 45)



**694-ASY-0711**  
**694-ASY-0712 (SHOWN)**

**HOLDERS:**  
694-HLD-0711  
694-HLD-0712 (SHOWN)

**FITS:** Case IH ATX 700,  
NH P2060, Flexi-Coil 5500  
& Concord (page 35)

PART		G	G	L	L	G	G	L	L	G	G	L	L	G	G	L	L	G	G	L	L	G	G	L	L
1	612-TIP-0711																								
2	612-TIP-0712 (SHOWN)																								
3	200-BNC-3100																								
4	047-TUB-2540																								
5	880-CPL-2500																								
6	612-TUB-6061																								
11	880-HCL-0001																								
12	880-HCL-1828																								

**NOTES:** Two 880-HCL-0001 are included with the granular openers only. They are intended to provide additional security to installed hoses. **See page 107 for proper hose clip installation.**