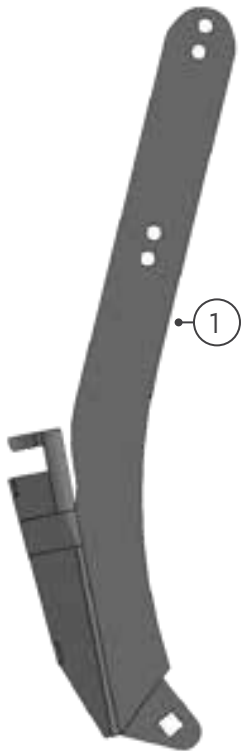
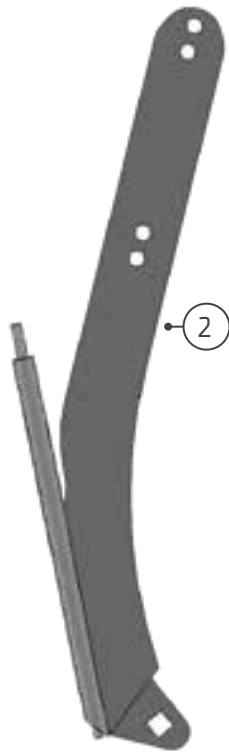


VÄDERSTAD SEED HAWK*

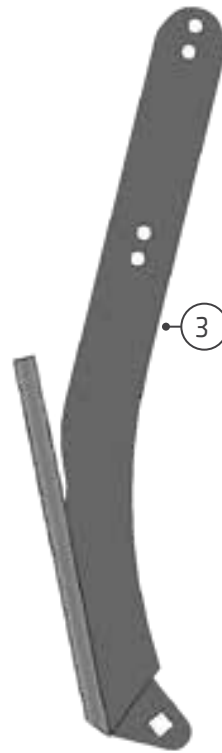
FERTILIZER KNIVES (PAGE 55)



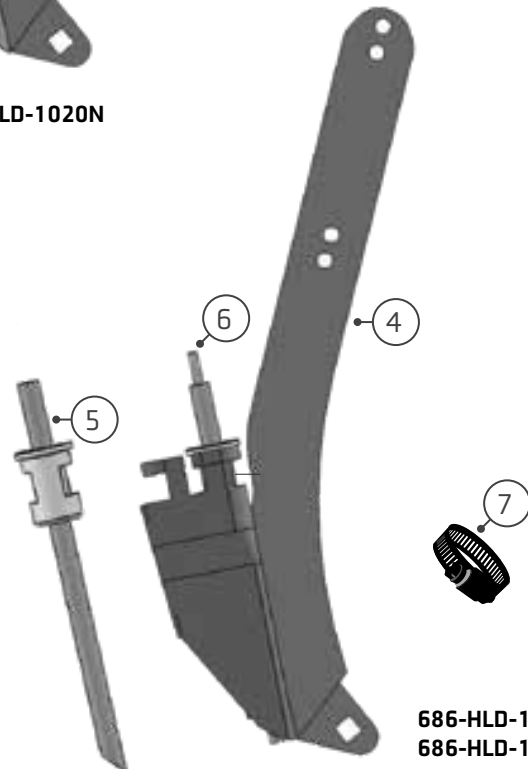
686-HLD-1020G



686-HLD-1020L



686-HLD-1020N



686-HLD-1010GL
686-HLD-1010GN

| PART | | G | L | N | G | G |
|------|---------------|---|---|---|---|---|
| | | | | | L | N |
| 1 | 686-HLD-1020G | ■ | | | | |
| 2 | 686-HLD-1020L | | ■ | | | |
| 3 | 686-HLD-1020N | | | ■ | | |
| 4 | 686-HLD-1010 | | | | ■ | ■ |
| 5 | 880-TUB-8375 | | | | | ■ |
| 6 | 880-TUB-8375L | | | | ■ | |
| 7 | 880-HCL-1828 | | | | ■ | ■ |

TIP OPTIONS:

- 200-TIP-0511
- 200-TIP-0801
- 200-TIP-0802
- 200-TIP-0803
- 200-TIP-0811

Tips sold separately.
See pages 12-13.