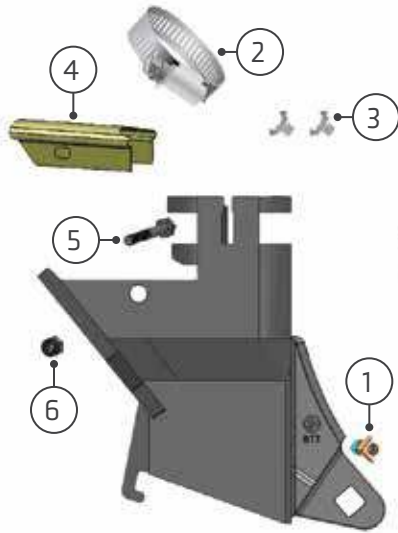


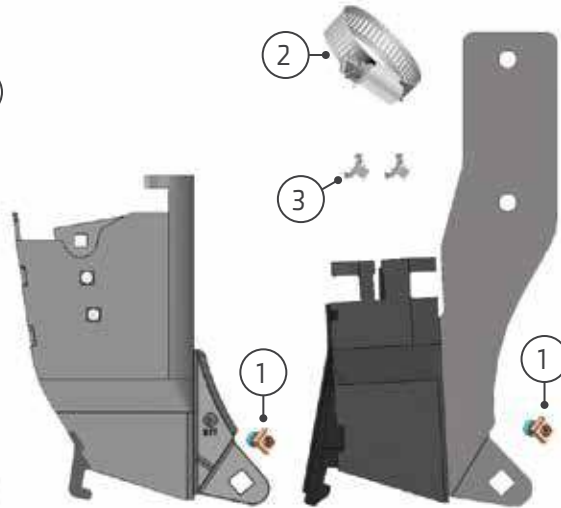
VOS (VERSATILE OPENER SYSTEM) (PAGES 54-55)

HOLDERS



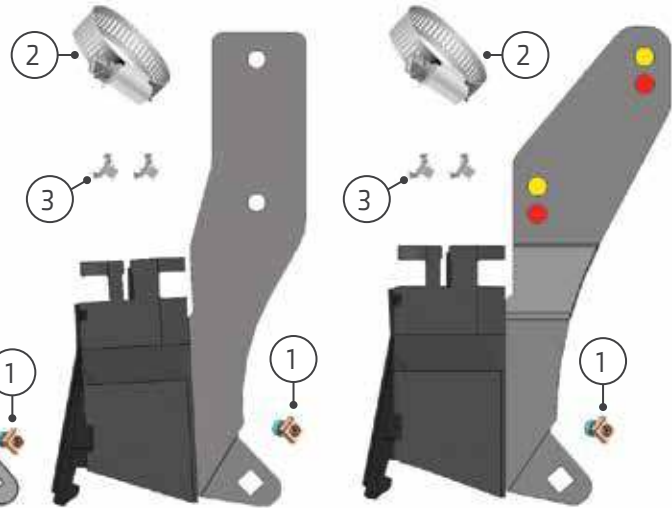
610-HLD-2080

FITS: C-Shank



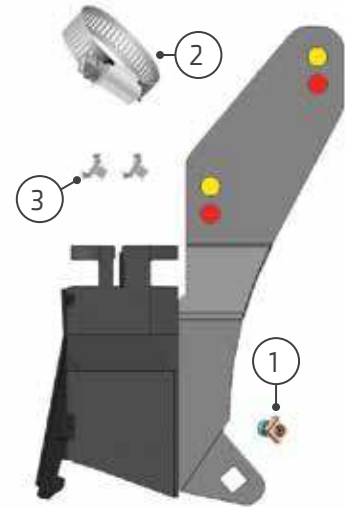
673-HLD-2080

FITS: Edge On, Bourgault PHD & Morris Maxim



683-HLD-2080

FITS: Morris Contour I

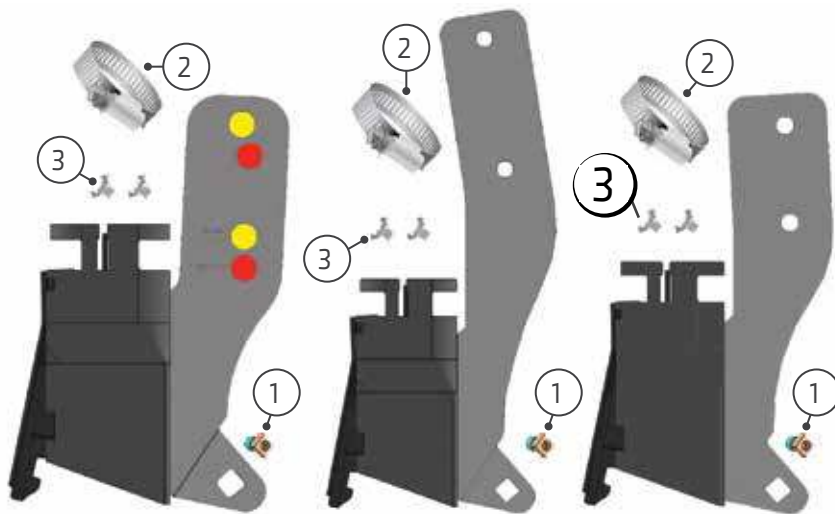


684-HLD-2080

FITS: Case IH 800/900, NH P2070 & Flexi-Coil PD5070

NOTE: When installing openers on Case IH 800/900, NH P2070 & Flexi-Coil PD5070 you have two options shown above.

- Standard installation
- 3/4" more depth



688-HLD-2080

FITS: Horsch 84° Shank

NOTE: When installing openers on Horsch 84° Shanks you have 2 options shown above.

- Standard installation
- 3/4" more depth

693-HLD-2080

FITS: Morris Contour II & Morris Quantum

694-HLD-2080

FITS: Case IH ATX 700, New Holland P2060, Flexi-Coil 5500 & Concord (84° Shanks only)

PART		610-HLD-2080	673-HLD-2080	683-HLD-2080	684-HLD-2080	688-HLD-2080	693-HLD-2080	694-HLD-2080
1	200-BNC-3100	■	■	■	■	■	■	■
2	880-HCL-1828	■	■	■	■	■	■	■
3	880-HCL-0001	■	■	■	■	■	■	■
4	610-CAP-1080	■						
5	942-HRG-2004	■						
6	908-NNI-2504	■						

All product and company names are trademarks™ or registered® of their respective holders. Use of them does not imply any affiliation with or endorsement by them.

TIPS



610-TIP-0802 SINGLE SHOOT TIP



610-TIP-1711 (LEFT WING) **610-TIP-1712** (RIGHT WING) SIDE BAND TIP



610-TIP-3500 PAIRED ROW TIP



610-TIP-4030 PAIRED ROW TIP



610-TIP-4081 PAIRED ROW TIP



610-TIP-4082 PAIRED ROW TIP

FERTILIZER TUBES

N **880-TUB-1001**
OR **880-TUB-1002**

Precision Drills NH3 1/2" (12 mm) O.D.
Stainless Tube



880-B5H-1000

L **880-TUB-1003**
OR **880-TUB-1004**

Precision Drills Liquid 1/4" (6 mm) O.D.
Stainless Tube



880-B5H-1000

N L **880-TUB-1009**
OR **880-TUB-1010**

Precision Drills Liquid or NH3 3/8" (10 mm)
O.D. Stainless Tube



880-B5H-1000

N P **880-TUB-1011**
OR **880-TUB-1012**

Precision Drills Aqua NH3 + Phos
1/4" (6 mm) O.D. Stainless Tube



NOTES:

- 880-TUB-1001, 1003, 1009 & 1011 are for everything other than C-Shank.
- 880-TUB-1002, 1004, 1010 & 1012 are for C-Shank openers, and are 1" longer.
- Pipes can be made for the 673-HLD-2080 on request. Call the factory for more details.

All tubes come with bushings as pictured above.

PROPER INSTALLATION:

