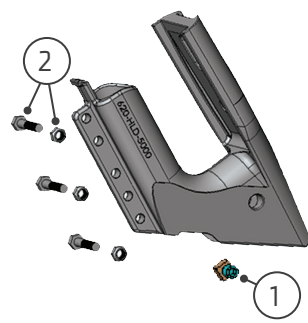


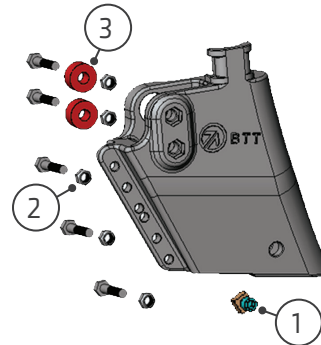
TITAN OPENER SYSTEM (PAGES 51-53)

HOLDERS



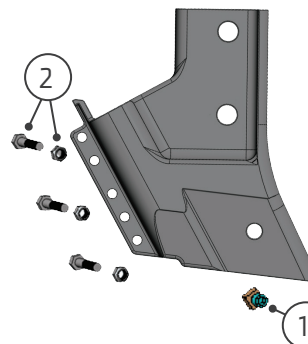
620-HLD-5000

FITS: 47° and 50° C-Shank



628-HLD-5000

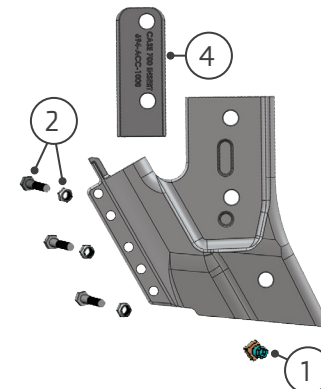
FITS: Morris Maxim Edge On & Bourgault PHD Shanks



688-HLD-5000

FITS: Horsch 84° Shank

NOTE: On older drills, customer needs to verify mounting bolt holes:
1/2" bolt hole requires **694-HLD-5000** (does not require 694-ACC-1000)
5/8" bolt hole requires **688-HLD-5000**

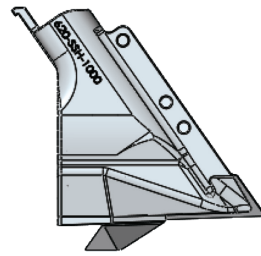


694-HLD-5000

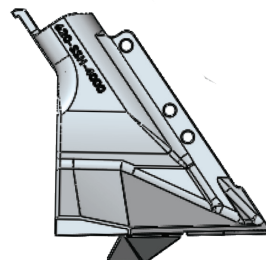
FITS: Case IH AXT 700, NH P2060, Flexi-Coil 5500 & Concord Edge On (84° shanks only)

NOTE: 694-HLD-5000 requires 694-ACC-1000 (included). Not required when installing on the Concord.

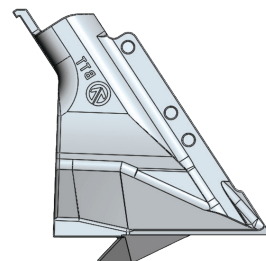
SEED SHOES/BOOT



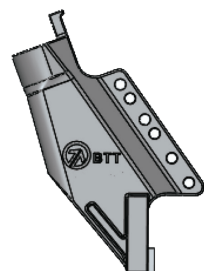
620-SSH-1000



620-SSH-4000

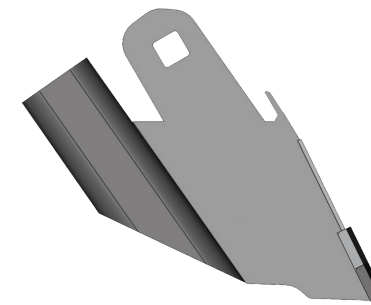


620-SSH-6000

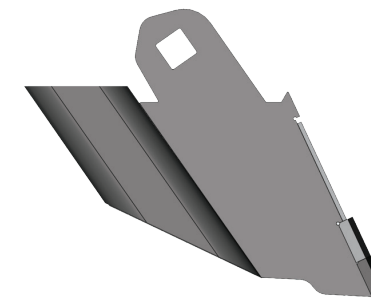


628-SBT-2000

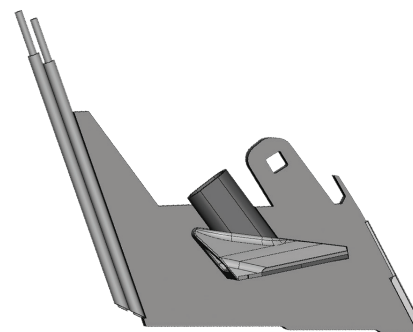
TIPS



620-TIP-0510

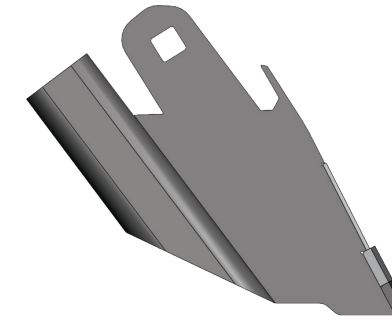


628-TIP-0510

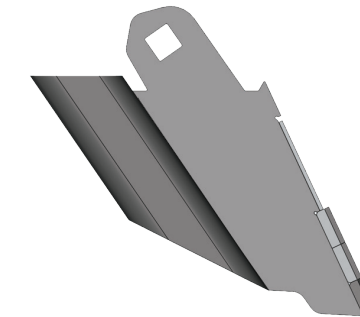


620-TIP-4060

NOTE: 800-CPL-2500 is required (included).



620-TIP-0517



628-TIP-0512

FERTILIZER TUBES

The tube assemblies pictured below include the tube and any accessories shown.

N **620-TUB-1021***
1/2" (12 mm) O.D. NH3 tube for **620, 688 & 694** holders.

 TUBE
 880-HCL-8117 620-ACC-0001

N P **620-TUB-1070 & 1070XL**
1/4" (6 mm) O.D. Aqua NH3 + Phos tube for **620, 688 & 694** series holders.
880-CPL-2500 sold separately.

 TUBE
 880-HCL-8117

N L **620-TUB-4000 & 4000XL**
0.4" O.D. Stainless Steel Liquid or NH3 tube for **620, 688 & 694** series holders.

 TUBE
 880-HCL-8117

N P **620-TUB-4040**
0.4" O.D. Stainless Steel Aqua NH3 + Phos tube for **620, 688 & 694** series holders.

 TUBE

N **628-TUB-1021***
1/2" (12 mm) O.D. NH3 tube for **628** holders.

 TUBE
 880-HCL-8117 620-ACC-0001

*For pressurized NH3 Systems (including MaxQuip) you will be given the standard NH3 tube and then must consult with your pressurized system dealer for tubing inserts.

PART		620-HLD-5000	628-HLD-5000	688-HLD-5000	694-HLD-5000
1	200-BNC-3100	■	■	■	■
2	620-BNC-3100	■	■	■	■
3	628-BSH-1000		■		
4	694-ACC-1000			■	

All product and company names are trademarks™ or registered trademarks of their respective holders. Use of them does not imply any affiliation with or endorsement by them.