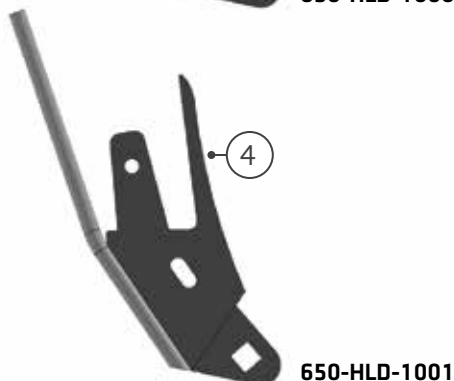
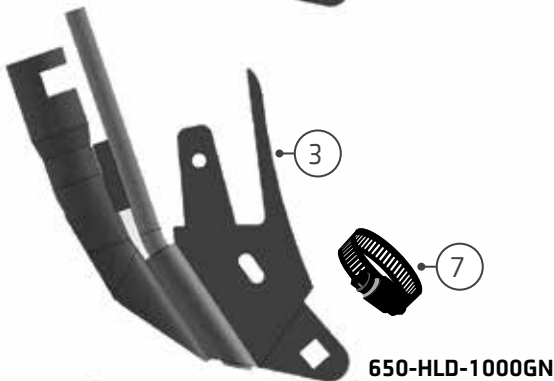
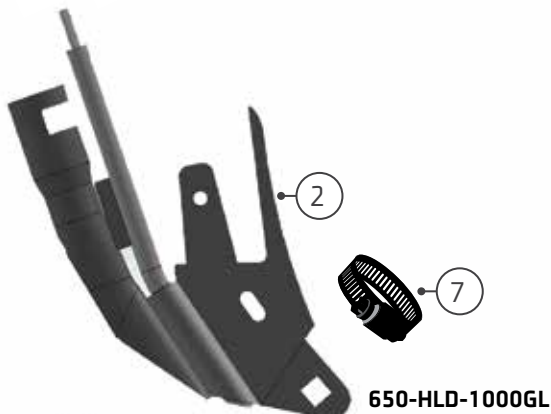
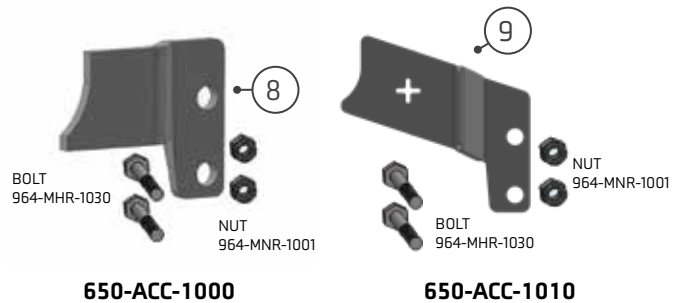
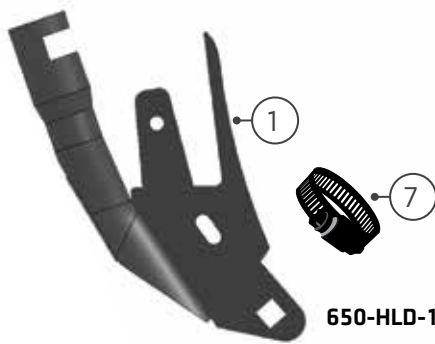


JOHN DEERE 1870 CONSERVA PAK

FERTILIZER KNIVES (PAGE 39)



PART	G	L	N	G	G	N
	650-HLD-1000G	650-HLD-1000L	650-HLD-1000N	650-HLD-1000GL	650-HLD-1000GN	650-HLD-1001
1 650-HLD-1000G	■					
2 650-HLD-1000GL				■		
3 650-HLD-1000GN					■	
4 650-HLD-1001						■
5 650-HLD-1000L		■				
6 650-HLD-1000N			■			
7 880-HCL-8117	■			■	■	
8 650-ACC-1000*	■	■	■			■
9 650-ACC-1010*				■	■	

TIP OPTIONS:

- 200-TIP-0511
- 200-TIP-0800
- 200-TIP-0801
- 200-TIP-0802
- 200-TIP-0803
- 200-TIP-0811

Tips sold separately. See page 10-11 for more information.

NOTE: *The brackets **650-ACC-1000 AND 650-ACC-1010** (pictured above) limits the tripping distance of these fertilizer knives. **It is not included in the assembly** and must be ordered separately. The metric bolts needed to install this bracket are included with the brackets. To see this bracket installed properly see page 39.