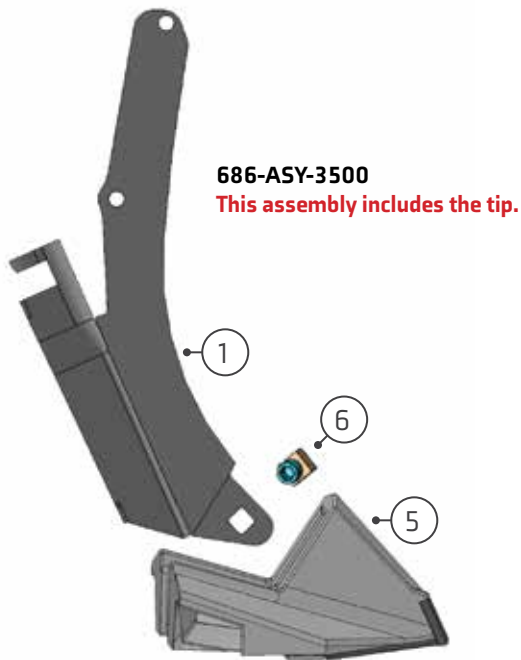
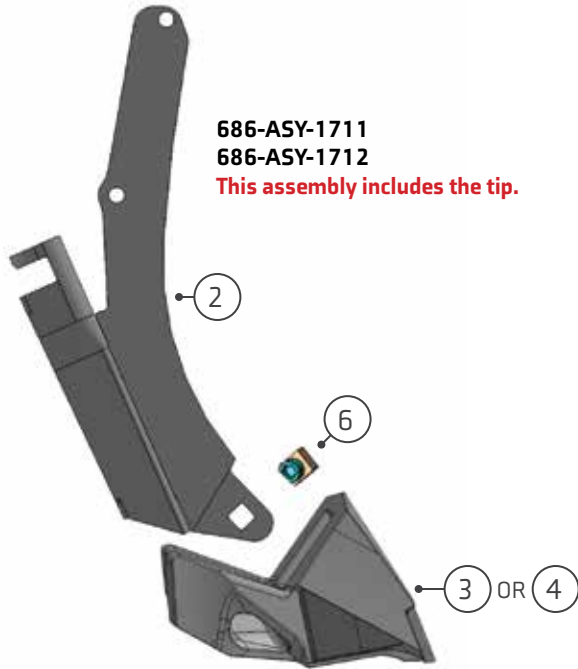


# SEED HAWK INC.\*

SINGLE SHOOT (PAGE 48)



PART		G	G	G	G	P
		686-ASY-1711	686-ASY-1712	686-ASY-3500	686-KNH-1001	686-KNH-1001P
1	686-KNH-1000	■	■	■		
3	610-TIP-1711 (NOT SHOWN)	■				
4	610-TIP-1712		■			
5	610-TIP-3500			■		
6	200-BNC-3100	■	■	■		
7	686-KNH-1001				■	
8	686-KNH-1001P					■

**TIP OPTIONS:**  
 200-TIP-0511  
 200-TIP-0800  
 200-TIP-0801  
 200-TIP-0802  
 200-TIP-0803  
 200-TIP-0811

**Tips sold separately.**  
 See page 10-11 for more information.

**NOTE:** These openers are available with liquid phos options, please call the factory for more details.