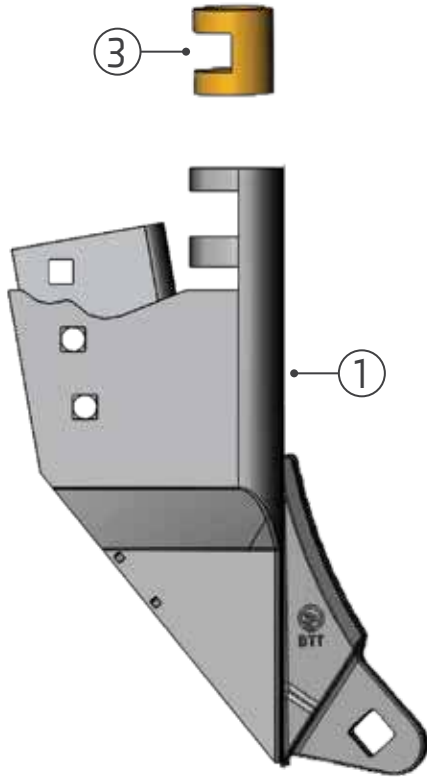


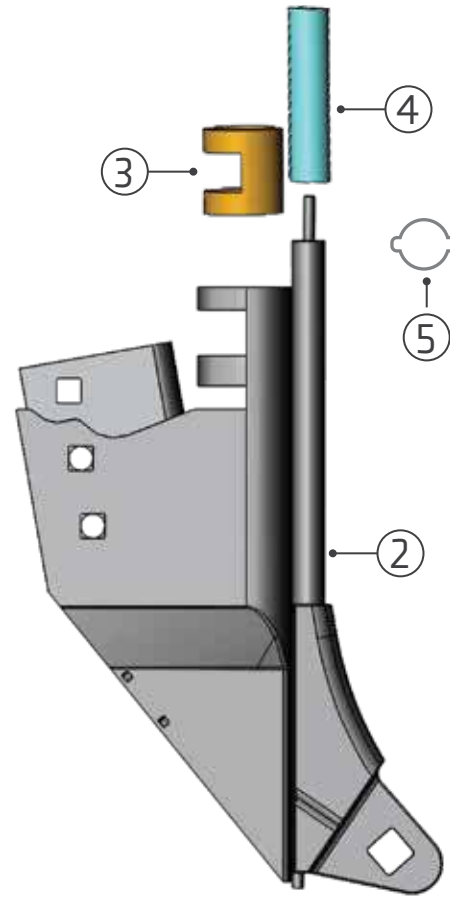
680-ASY-1000

SINGLE SHOOT (PAGE 24)



680-ASY-1000P

SINGLE SHOOT (PAGE 40)



PART		680-ASY-1000	680-ASY-1000P
1	680-HLD-1000	■	
2	680-HLD-1000P		■
3	880-B5H-1130	■	■
4	680-HOS-1000**	■	■
5	880-HCL-0004		■

TIP OPTIONS :

- 200-TIP-0511 200-TIP-1011
- 200-TIP-0800 200-TIP-2011
- 200-TIP-0801 200-TIP-3000
- 200-TIP-0802 200-TIP-3001
- 200-TIP-0803 200-TIP-3011
- 200-TIP-0811 200-TIP-4011

Tips sold separately. See page 10-11 for more information.

NOTE: **680-HOS-1000 is a 6" x 1/2" I.D. NH3 hose.

880-ASY-1010 REQUIRED

This assembly is sold separately and is required to convert the standard 3/16" O.D. Liquid Phos tube to 1/4" I.D. Liquid Phos delivery hoses.

